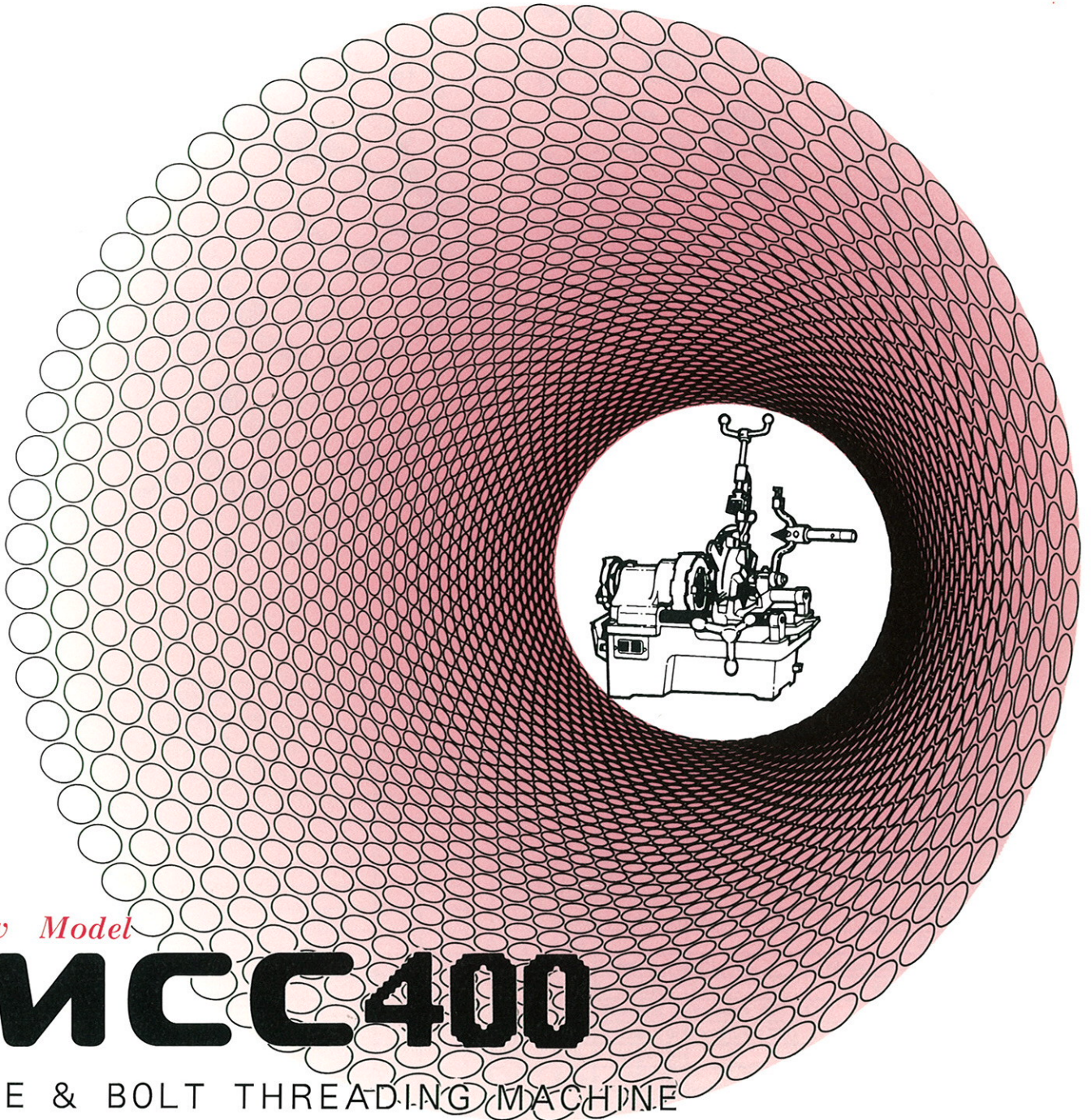


**MCC**

# PARTS LIST

Cat No 9-90

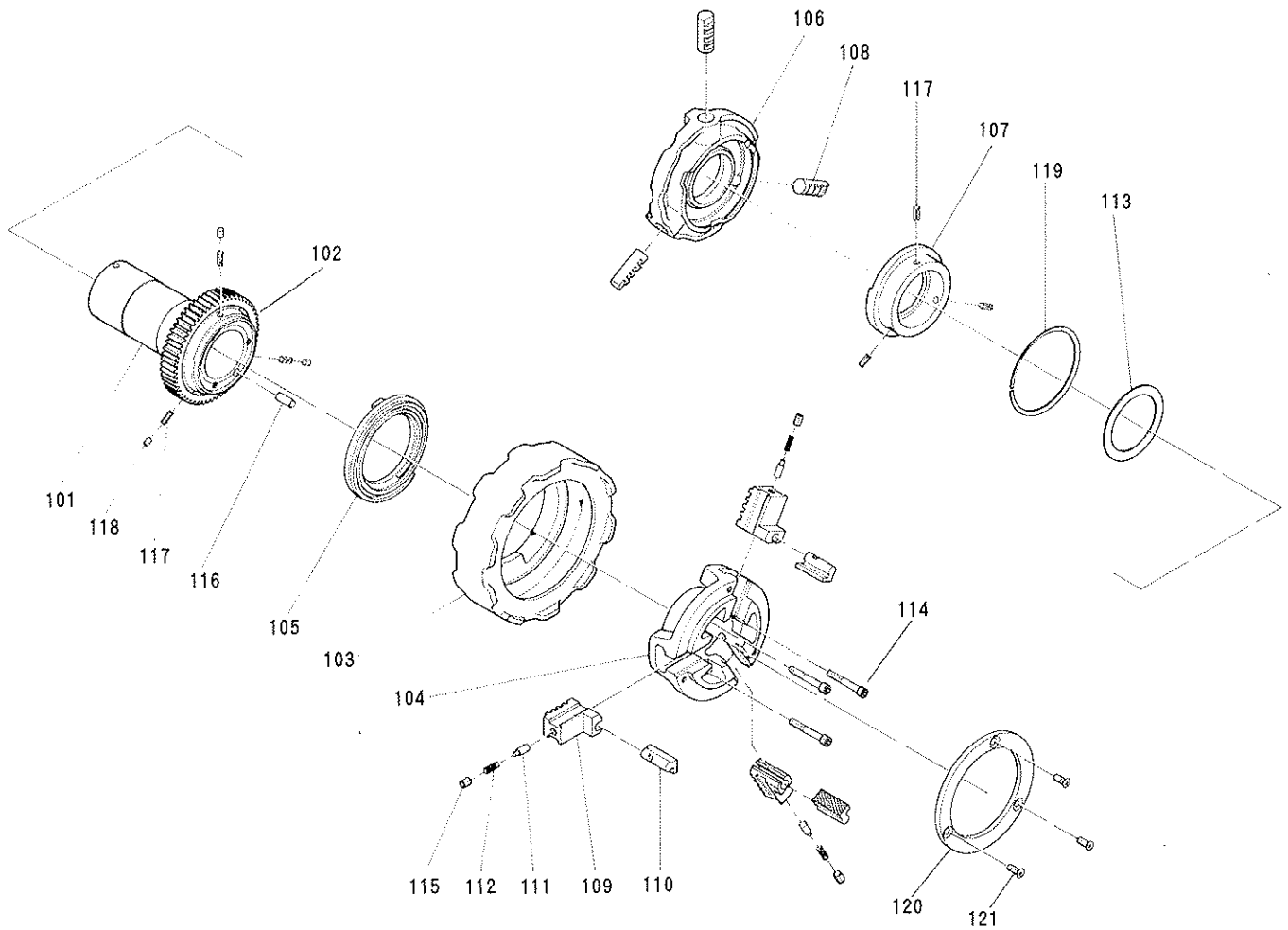


*New Model*

# MCC400

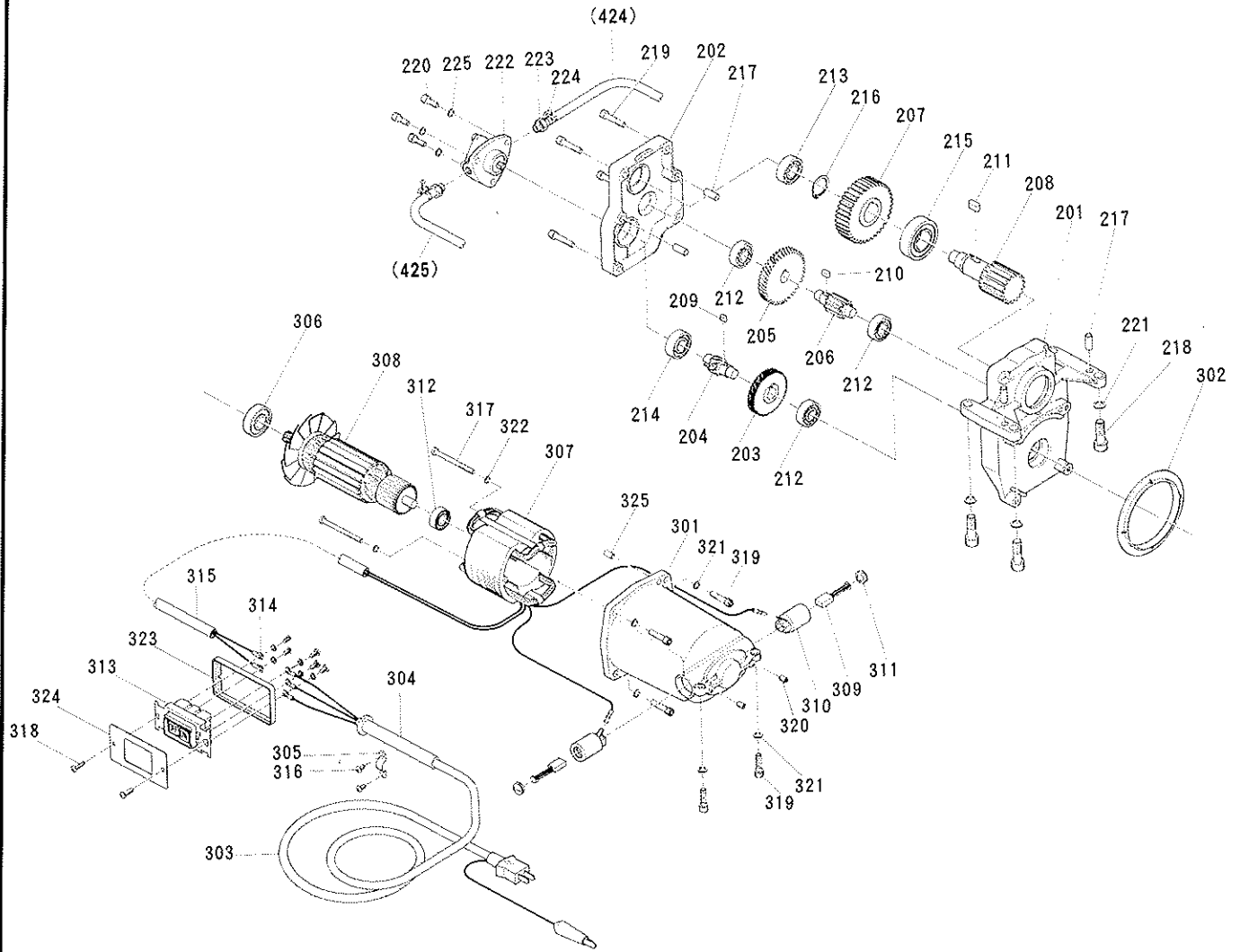
PIPE & BOLT THREADING MACHINE

# MCC400



No.	Part Name	Q'ty
101	Drive Shaft	1
102	Drive Shaft Gear	1
103	Hand Wheel	1
104	Chuck Body	1
105	Front Scroll	1
106	Rear Chuck Body	1
107	Rear Scroll	1
108	Holder Jaw (Round type)	1 set
109	Chuck Jaw Body	1 set
110	Jaw	3
111	Pin	3
112	Spring	3
113	Fiber	1
114	Bolt (M 6 × 45)	3
115	Screw (M 8 × 10)	3
116	Pin (h 7 A Φ 8 × 20)	1
117	Spring Pin (6 × 14AW)	6
118	Vinyl Cap	3
119	Retaining Ring (AR-98)	1
120	Front Ring	1
121	Screw (M 6 × 14)	3

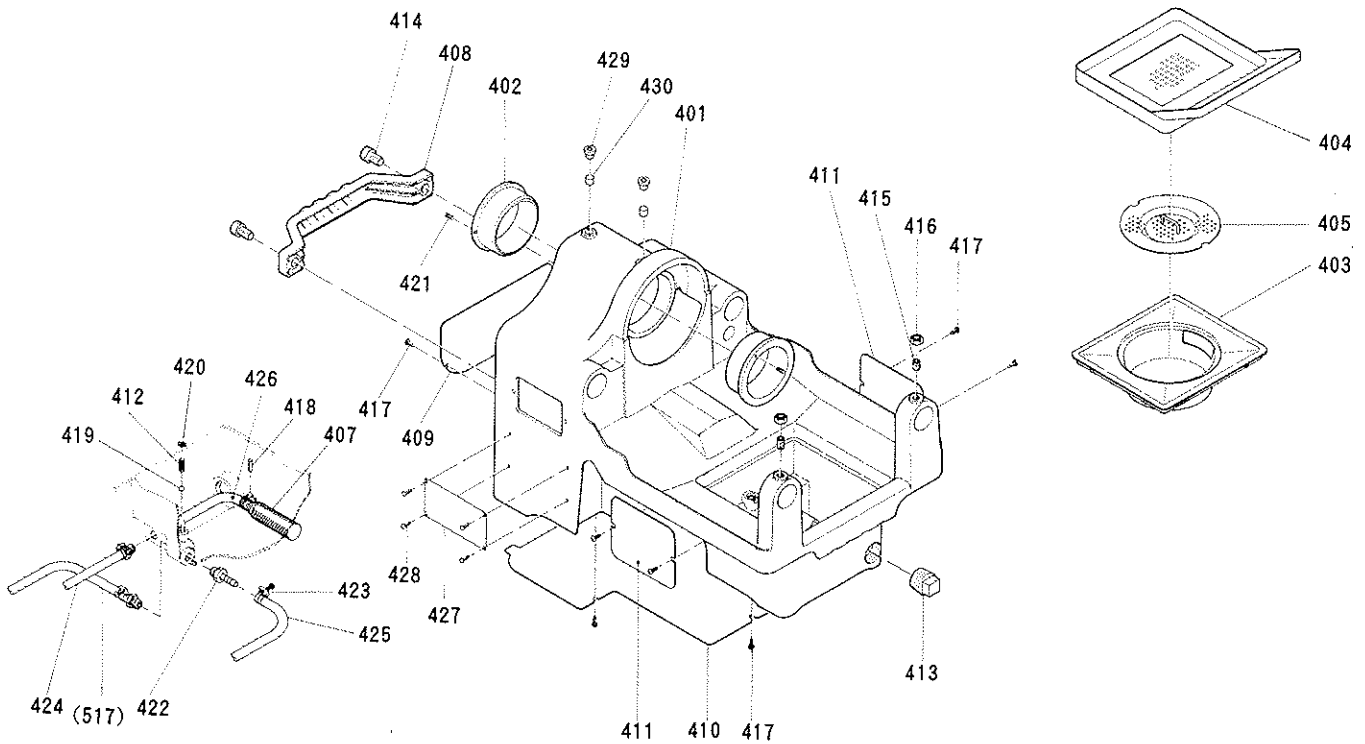
# MCC400



No.	Part Name	Q'ty
201	Reduction Gear Main Body	1
202	Reduction Gear Cover	1
203	Gear (1)	1
204	Pinion (2)	1
205	Gear (2)	1
206	Pinion (3)	1
207	Gear (3)	1
208	Pinion (4)	1
209	Key (1) (5×5×9.5)	1
210	Key (2) (5×5×12)	1
211	Key (3) (7×7×18)	1
212	Ball Bearing (6201)	3
213	Ball Bearing (6202)	1
214	Ball Bearing (6202LLU)	1
215	Ball Bearing (6205ZZ)	1
216	C-Shape Retaining Ring (25)	1
217	Pin (h7A Φ8×20)	4
218	Bolt (M10×30)	4
219	Bolt (M6×30)	4
220	Bolt (M6×16)	3
221	Spring Washer (for M10)	4
222	Trochoid Pump (KSP-10A-R)	1
223	Hose Nipple (PT1 / 8×Φ7)	2
224	Hose Clamp with Screw	2
225	Spring Washer (for M6)	3

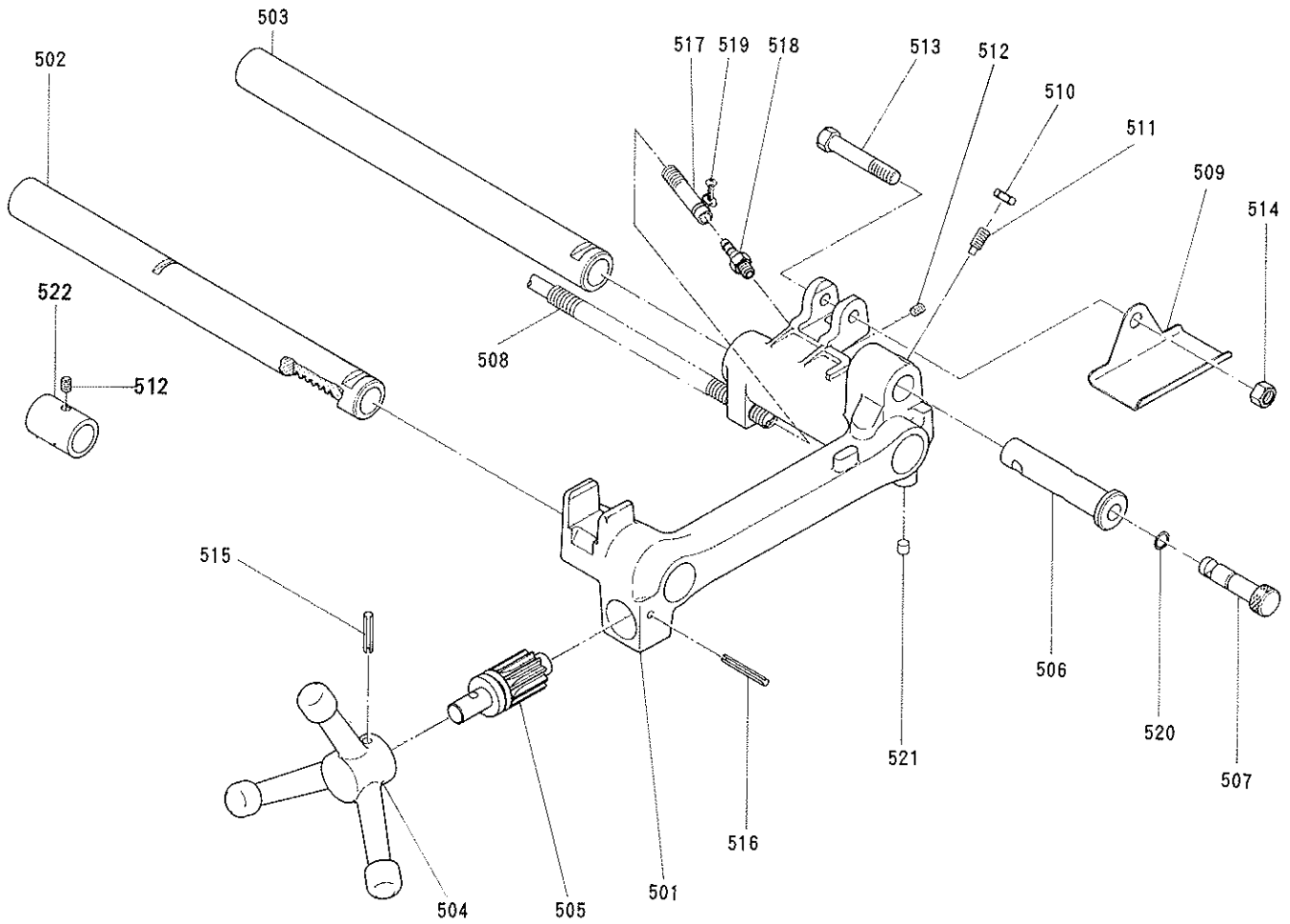
No.	Part Name	Q'ty
301	Motor Housing	1
302	Separator	1
303	Cabletyre Cable with Plug	1
304	Rubber Bush (1)	1
305	Saddle for Cabletyre Cable	1
306	Ball Bearing (6202LLB)	1
307	Core Rotor (550W)	1
308	Armature (550W)	1
309	Carbon Brush	2
310	Carbon Brush Holder	2
311	Cap	2
312	Ball Bearing (6200LLB)	1
313	Switch (BEH2-15-2)	1
314	Open Pressed Terminal (2Y-4)	2
315	Vinyl Hose (Φ12×Φ10×300)	1
316	Screw (M6×10)	2
317	Screw (M5×70)	2
318	Screw (M4×16)	2
319	Bolt (M6×22)	6
320	Screw (M6×8)	2
321	Spring Washer (for M6)	6
322	Spring Washer (for M5)	2
323	Gasket for Switch	1
324	Fitting Plate for Switch	1
325	Pin (h7A Φ6×12)	1

# MCC400



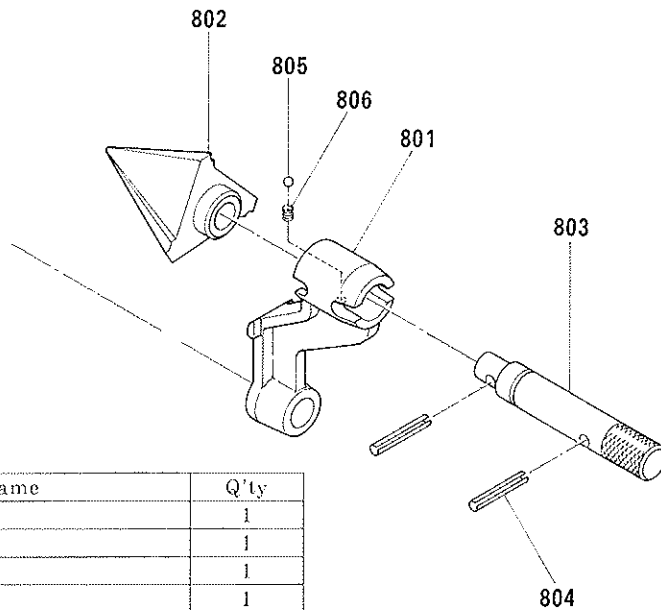
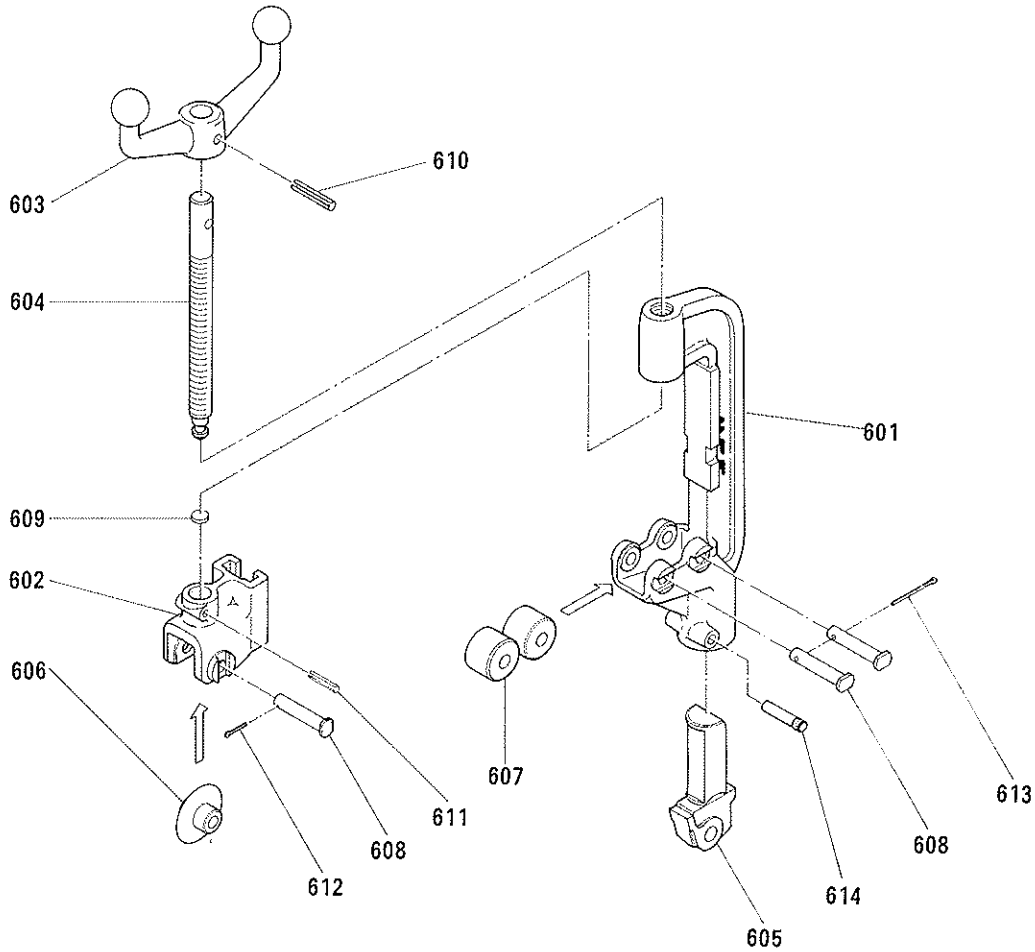
No.	Part Name	Q'ty
401	Main Body	1
402	Oilless Bearing	2
403	Sink Filter	1
404	Chip Tray	1
405	Punching Plate	1
407	Spring Filter	1
408	Handle	1
409	Cover	1
410	Cover	1
411	Cover	2
412	Coil Spring	1
413	Plug (PT3 / 4)	1
414	Bolt (M10×16)	2
415	Screw (M8×12)	2
416	Lock Nut	2
417	Screw (M4×6)	9
418	Spring Pin (6×14AW)	1
419	Steel Ball (6 ball)	1
420	Washer	1
421	Spring Pin (3×10AW)	2
422	Hose Nipple (PT1 / 8×Φ7)	3
423	Hose Clamp with Screw	3
424	Oil Feed Tube (1) (Φ10×Φ6.5×400)	1
425	Oil Feed Tube (2) (Φ10×Φ6.5×400)	1
426	Oil Feed Tube (Φ10×Φ6.5×150)	1
427	Name Plate	1
428	Stud (No6×6.4)	4
429	Ball Oil Cup (3 / 8)	2
430	Felt (Φ9.5×8)	2

# MCC400



No	Part Name	Q'ty
501	Carriage	1
502	Support Bar (Left)	1
503	Support Bar (Right)	1
504	Carriage Hand Wheel	1
505	Pinion for Rack	1
506	Die Head Pin	1
507	Oil Adjusting Pin	1
508	Coil Spring	1
509	Shoot	1
510	Lock Nut	1
511	Screw (M 8 × 20)	1
512	Screw (M 6 × 8)	2
513	Bolt (M10 × 60)	1
514	Nut (M10)	1
515	Spring Pin (6 × 32AW)	1
516	Spring Pin (5 × 40AW)	1
517	Oil Feed Tube (3) (Φ10 × Φ6.5 × 600)	1
518	Hose Nipple (PT1 / 8 × Φ7)	1
519	Hose Clamp with Screw	1
520	O-Ring (P9)	1
521	Vinyl Cap	1
522	Collar	1

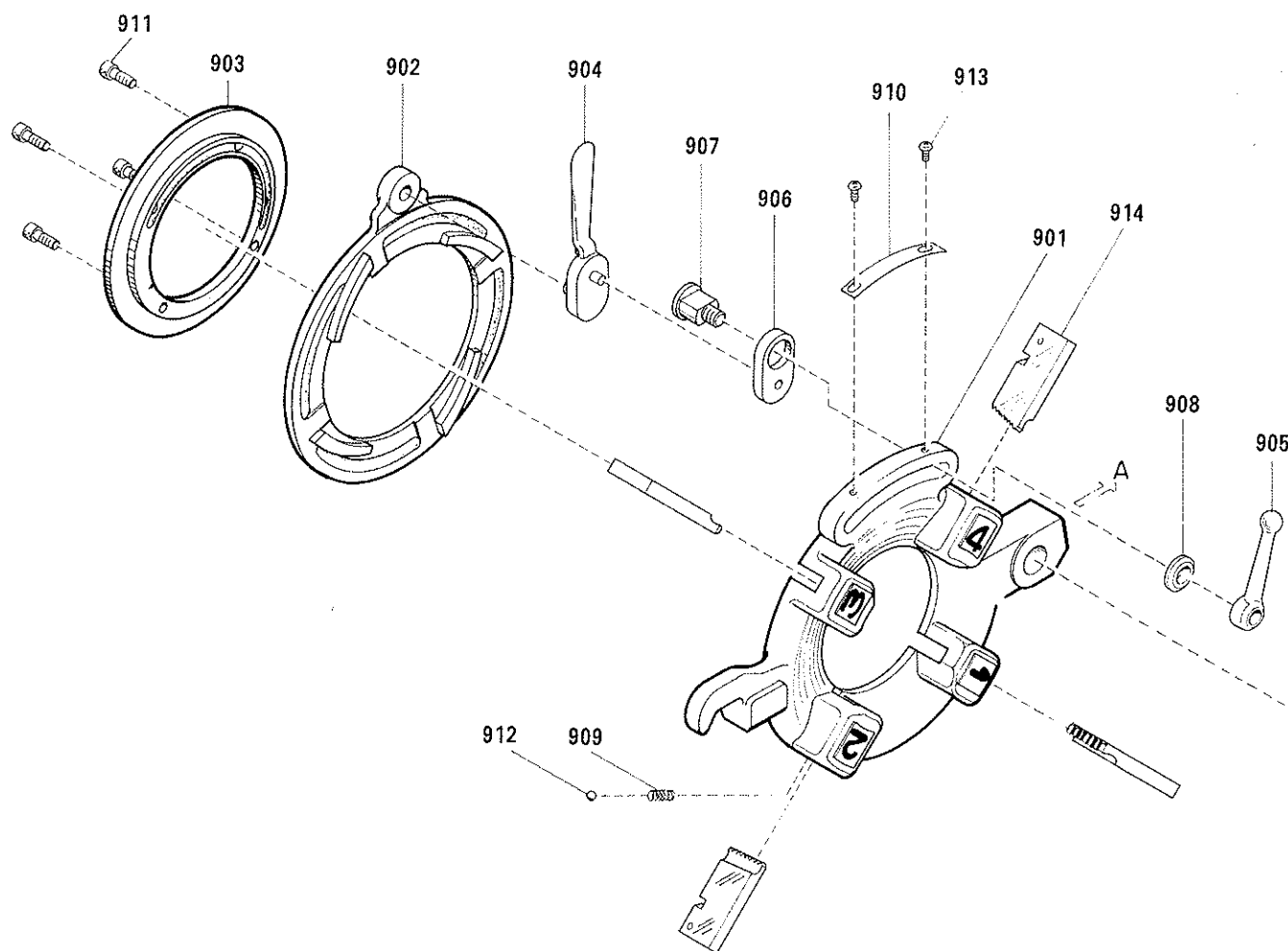
# MCC400



No.	Part Name	Q'ty
601	Cutter Frame	1
602	Cutter Housing	1
603	Handle	1
604	Feed Screw	1
605	Cutter Guide	1
606	Cutter Wheel No.3	1
607	Cutter Roll	2
608	Pin	3
609	Washer (No.1)	1
610	Spring Pin (6×32AW)	1
611	Spring Pin (4×22AW)	1
612	Split Pin (2.5×15)	1
613	Split Pin (2.5×45)	1
614	Pin	1

No.	Part Name	Q'ty
801	Reamer Arm	1
802	Reamer	1
803	Reamer Shaft	1
804	Spring Pin (8×45AW)	2
805	Steel Ball (6 ball)	1
806	Spring	1

# MCC400



No.	Part Name	Q'ty
901	Die Head	1
902	Cam Plate	1
903	Retaining Ring	1
904	Cam Lever	1
905	Clamping Lever	1
906	Link	1
907	Lock Screw	1
908	Washer	1
909	Spring	4
910	Size Gauge	1
911	Bolt (M 6 × 18)	4
912	Steel Ball (5 ball)	4
913	Screw	2
914	Dies	1 set